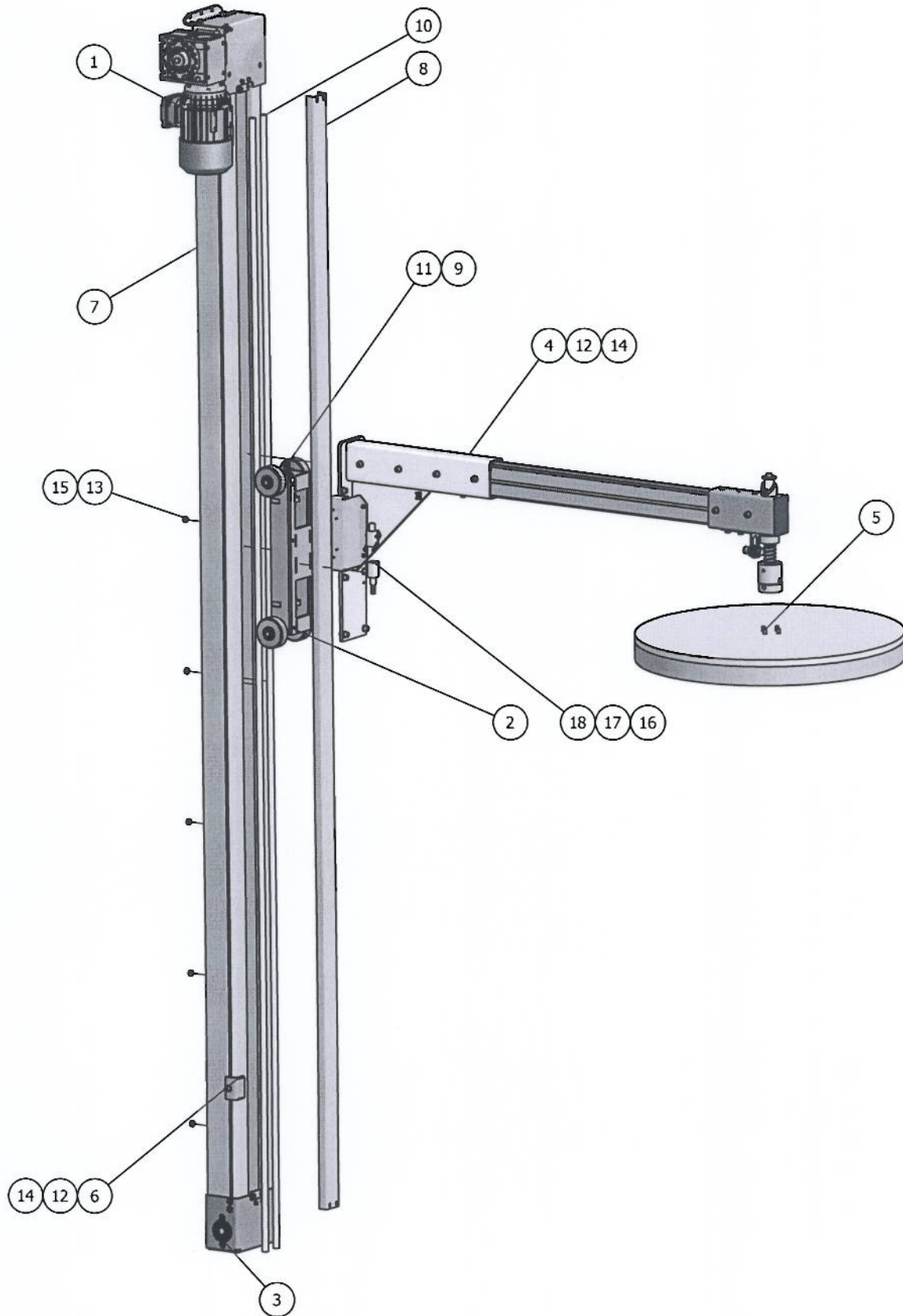


210306 - TOPPLATE COMPLETE



210306 - TOPPLATE COMPLETE

POS.	PART NO	REV.	DESCRIPTION	Q.	NOTICE
1	200327		UPPER TRANSMISION ASSY.	1	
2	200329		CARRIAGE ASSY.	1	
3	210152		TRANSMISSION LOWER	1	
4	210199		TOPPLATE BAR ASSY.	1	
5	260056		TOPPLATE ASSY	1	
6	312206		LIMIT POSITION UNIT	2	
7	370347	A	MAST PROFILE L=3000	1	
8	370348	A	Cover for topplate mast L=2945mm	1	
9	400350	A	LOCKING LINK RS08B	2	
10	400729	A	VP PIPE 16mm 3000mm	2	
11			ROLLER CHAIN RS 08B	1	
12	460108	0	SCREW MC6S M8x16	8	
13	460181		NUT M6M 8	7	
14	460201		WASHER BRB 8.4	8	
15	460214		M6S M8x25	5	
16	751090		SPIRAL CABLE	1	
17	900163		CONTACT HOUSING	1	
18	900165		CONTROL BASE FEMALE	1	