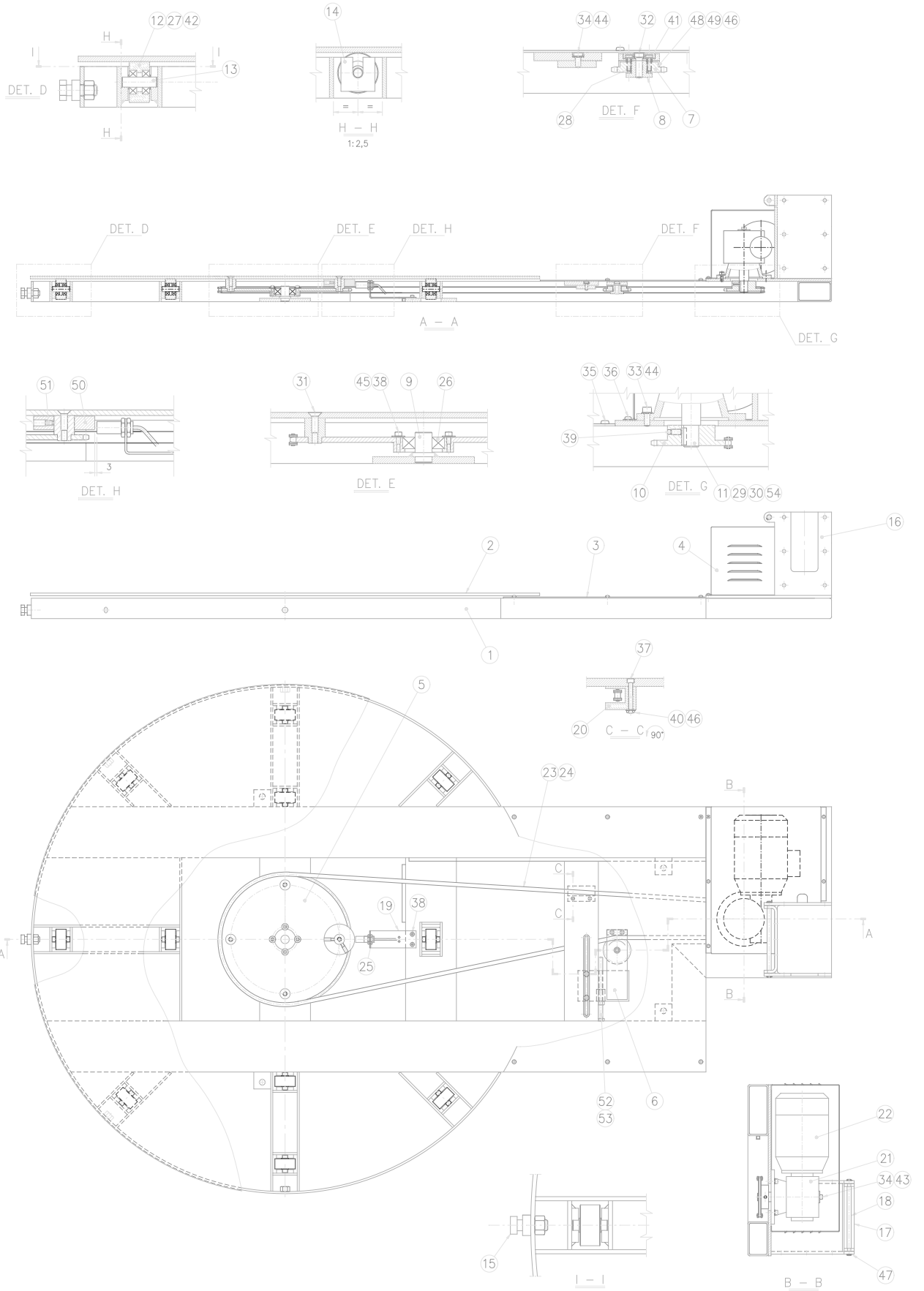


BOTTOM UNIT COMPLETE, 210001



BOTTOM UNIT Ó3722o o , 210004

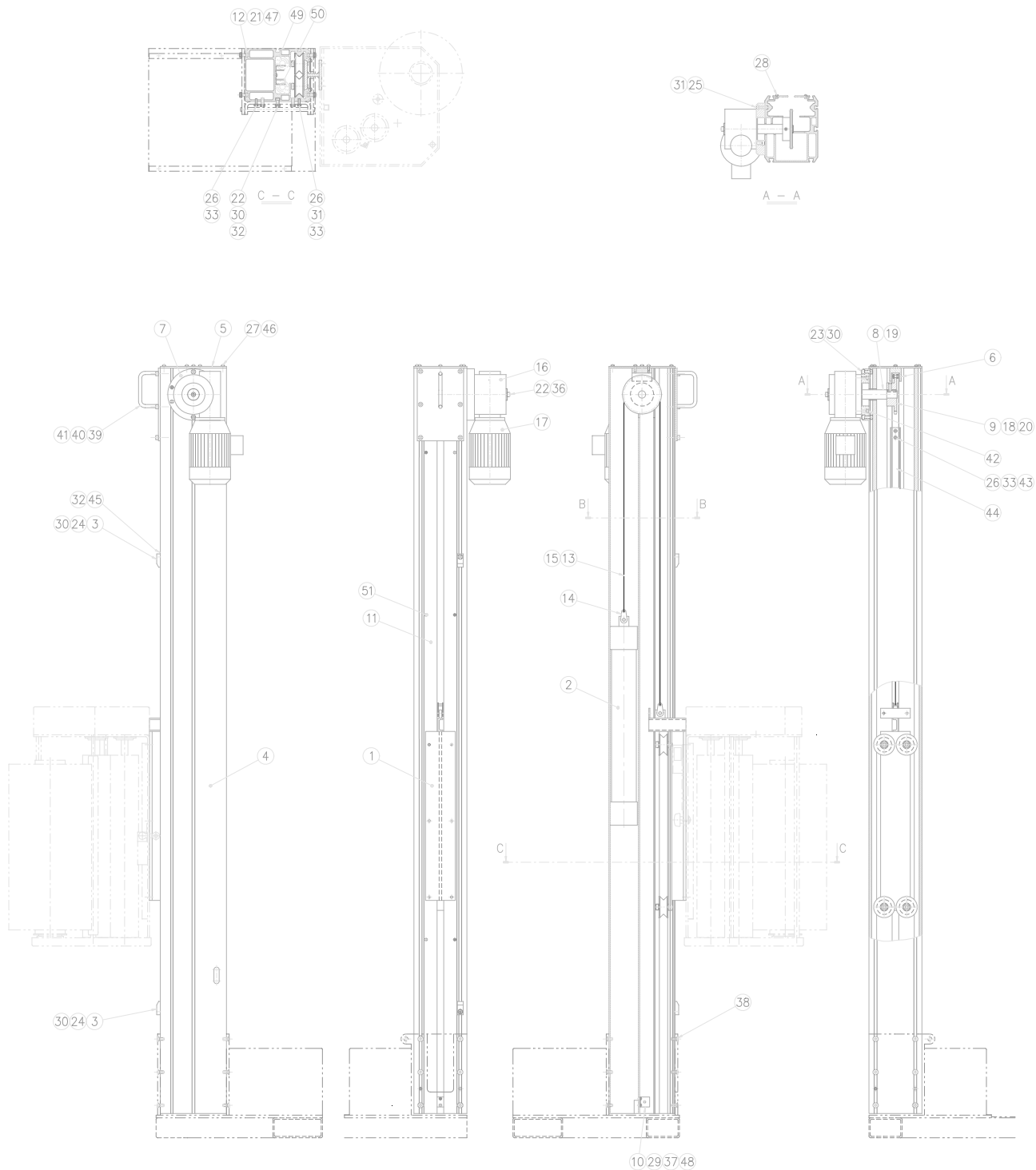
DRAWING 210001

Pos.	Art./Drwg. No	Q	Description	Specification
1	310001	1	STEEL FRAME	
2	310002	1	TURNTABLE	
3	310003	1	COVER PLATE	
4	310004	1	MOTOR CASING	
5	310005	1	CHAIN WHEEL	
6	310006	1	HOLDING DEVICE	
7	310007	1	GUIDE WHEEL	
8	310008	1	GUIDE WHEEL SHAFT	
9	310009	1	CENTRE SHAFT	
10	310010	1	CHAIN WHEEL	
11	310318	1	WORM GEAR SHAFT	
12	310046	11	WHEEL	
13	310047	11	WHEEL SHAFT	
14	310048	22	FIXING PLATE	
15	310049	1	SHAFT	
16	310050	1	MAST SUPPORT	
17	310051	1	SUPPORT	
18	310052	1	SHAFT	
19	310054	1	LIMIT SWITCH HOLDER	
20	310055	1	CHAIN GUIDE	
21	400308	1	WORM GEAR	Type FRS 50/FL, B-14 flange, 1:28
22	400309	1	AC-MOTOR	IEC 80, 4 poled, 0,55kW, B-14 flange
23	400310	1	ROLLER CHAIN	RS08B-1, L=3500
24	400350	1	LOCKING LINK	24/RS08B-1
25	900074	1	INDUCTIVE LIMIT SWITCH	XS1M18PA370L1
26	400311	1	RIGID BALL BEARING	6305-2NK
27	400312	22	RIGID BALL BEARING	6202-2NK
28	400313	1	FLANGE BEARING	BM2215-F33 FB
29	460580	1	SHAFT KEY	8x7-56 SMS 2306
30	460581	1	SHAFT KEY	8x7-25 SMS 2306
31	460175	4	SCREW	MF6S-fzb M10x30
32	460550	1	SCREW	MLC6S M10x30
33	460018	4	SCREW	M6S-fzb M8x20
34	460108	3	SCREW	MC6S-fzb M8x16
35	460563	6	SCREW	K6S M6x8-fzb
36	460561	5	SCREW	K6S M5x8-fzb
37	460103	2	SCREW	MC6S-fzb M6x45
38	460094	6	SCREW	MC6S-fzb M6x12
39	460538	1	STOP SCREW	P6SS M8x16
40	460539	2	NUT	ML6M-fzb M6
41	460575	1	WASHER	DB 22x31x1
42	460571	44	WASHER	DB 15x21x1
43	460540	1	WASHER	SRKB-fzb 8,4x35x3
44	460201	6	WASHER	BRB-fzb 8,4x16x1,6
45	460541	4	WASHER	SRKB-fzb 6,4x19x1,5
46	460200	2	WASHER	BRB-fzb 6,4x14x1,5
47	460412	2	RETAINING RING	SgA 12
48	310149	1	CHAIN STOP	
49	460209	2	SCREW	ML6S-fzb 6x20
50	310148	1	INDICATOR RING	
51	460538	2	STOP SCREW	P6SS M8x16
52	460071	1	SCREW	M6S-fzb 12x180
53	460184	1	NUT	M6M-fzb M12
54	310320	1	DISTANCE	

BOTTOM UNIT '038970 0 , 210301 DRAWING 210001

Pos.	Art./Drwg. No	Q	Description	Specification
1	310366	1	STEEL FRAME	
2	310367	1	TURNTABLE	
3	310368	1	COVER PLATE	
4	310004	1	MOTOR CASING	
5	310005	1	CHAIN WHEEL	
6	310006	1	HOLDING DEVICE	
7	310007	1	GUIDE WHEEL	
8	310008	1	GUIDE WHEEL SHAFT	
9	310009	1	CENTRE SHAFT	
10	310010	1	CHAIN WHEEL	
11	310318	1	WORM GEAR SHAFT	
12	310046	11	WHEEL	
13	310047	11	WHEEL SHAFT	
14	310048	22	FIXING PLATE	
15	310049	1	SHAFT	
16	310050	1	MAST SUPPORT	
17	310051	1	SUPPORT	
18	310052	1	SHAFT	
19	310054	1	LIMIT SWITCH HOLDER	
20	310055	1	CHAIN GUIDE	
21	400308	1	WORM GEAR	Type FRS 50/FL, B-14 flange, 1:28
22	400309	1	AC-MOTOR	IEC 80, 4 poled, 0,55kW, B-14 flange
23	400310	1	ROLLER CHAIN	RS08B-1, L=3500
24	400350	1	LOCKING LINK	24/RS08B-1
25	900074	1	INDUCTIVE LIMIT SWITCH	XS1M18PA370L1
26	400311	1	RIGID BALL BEARING	6305-2NK
27	400312	22	RIGID BALL BEARING	6202-2NK
28	400313	1	FLANGE BEARING	BM2215-F33 FB
29	460580	1	SHAFT KEY	8x7-56 SMS 2306
30	460581	1	SHAFT KEY	8x7-25 SMS 2306
31	460175	4	SCREW	MF6S-fzb M10x30
32	460550	1	SCREW	MLC6S M10x30
33	460018	4	SCREW	M6S-fzb M8x20
34	460108	3	SCREW	MC6S-fzb M8x16
35	460563	6	SCREW	K6S M6x8-fzb
36	460561	5	SCREW	K6S M5x8-fzb
37	460103	2	SCREW	MC6S-fzb M6x45
38	460094	6	SCREW	MC6S-fzb M6x12
39	460538	1	STOP SCREW	P6SS M8x16
40	460539	2	NUT	ML6M-fzb M6
41	460575	1	WASHER	DB 22x32x1
42	460571	44	WASHER	DB 15x21x1
43	460540	1	WASHER	SRKB-fzb 8,4x35x3
44	460201	6	WASHER	BRB-fzb 8,4x16x1,6
45	460541	4	WASHER	SRKB-fzb 6,4x19x1,5
46	460200	2	WASHER	BRB-fzb 6,4x14x1,5
47	460412	2	RETAINING RING	SgA 12
48	310149	1	CHAIN STOP	
49	460209	2	SCREW	ML6S-fzb 6x20
50	310148	1	INDICATOR RING	
51	460538	2	STOP SCREW	P6SS M8x16
52	460071	1	SCREW	M6S-fzb 12x180
53	460184	1	NUT	M6M-fzb M12
54	310320	1	DISTANCE	

MAST COMPLETE, 210002



MAST COMPLETE'j ?3: 22o o , 210039 DRAWING 210002

Pos.	Art./Drwg. No	Q	Description	Specification
1	210062	1	CARRIAGE COMPLETE	
2	210008	1	COUNTER-WEIGHT COMPLETE	
3	310033	2	LIMIT POSITION UNIT	
4	310212	1	MAST PROFILE	For goodsheight 1800
5	310013	1	COVER PLATE	
6	310014	1	CHAIN GUIDE	
7	400453	1	MOTOR FLANGE	DWG 310015
8	310016	1	WORM GEAR SHAFT	
9	310017	1	CHAIN WHEEL	
10	310042	1	CABLE SUPPORT	
11	310245	2	COVER PLATE	For goodsheight 1800
12	310053	4	BAR NUT	
13	400319	1	ROLLER CHAIN	RS08B-1, L= 1760
14	400321	2	END LINK	for RS08B-1
15	400350	2	LOCKING LINK	24/RS08B-1
16	400324	1	WORM GEAR	Type FRS 50/FO, B-14 flange, 1:70
17	400325	1	AC-MOTOR	IEC 71, 4 poled, 0.37kW, B-14 flange
18	460581	1	SHAFT KEY	SMS 2306 8x7-25
19	460580	1	SHAFT KEY	SMS 2306 8x7-56
20	460542	1	STOP SCREW	P6SS M8x20
21	460543	4	STOP SCREW	P6SS M8x10
22	460018	2	SCREW	M6S-fzb M8x20
23	460111	2	SCREW	MC6S-fzb M8x25
24	460622	2	SCREW	MLC6S-fzb M8x12
25	460099	2	SCREW	MC6S-fzb M6x22
26	460096	3	SCREW	MC6S-fzb M6x16
27	460074	4	SCREW	MC6S-fzb M4x12
28	460564	8	SCREW	K6S-fzb M4x8
29	460544	2	SCREW	RXK-Z-fzb ST 4,8x13
30	460181	18	NUT	M6M-fzb M8
31	460180	3	NUT	M6M-fzb M6
32	460201	11	WASHER	BRB-fzb 8,4x16x1,6
33	460200	3	WASHER	BRB-fzb 6,4x14x1,5
34	460351	1	COVER PLUG	No. 055 00 93
35	460108	6	SCREW	MC6S-fzb M8x16
36	460540	1	WASHER	SRKB-fzb 8,4x35x3
37	400352	1	CABLE BRACKET	426-303 (diam 8)
38	460169	12	SCREW	MF6S M8x16
39	310129	1	COVER PLATE	
40	460108	6	SCREW	MC6S M8x16
41	310147	2	BAR NUT	
42	460103	8	SCREW	MC6S M6x45
43	460190	2	LOCKING NUT	M6M-fzb M6 LOCKING
44	310195	1	GUIDING PROFILE	
45	460107	1	SCREW	MC6S M8x12
46	460589	4	WASHER	BRB 4.3x8x0.8
47	460602	4	SCREW	MC6S M8x14
48	400372	1	CABLE BRACKET	DIAM 6
49	751020	1	CABLE	
50	751037	1	CABLE	
51	460495	10	HELI COIL THREAD	

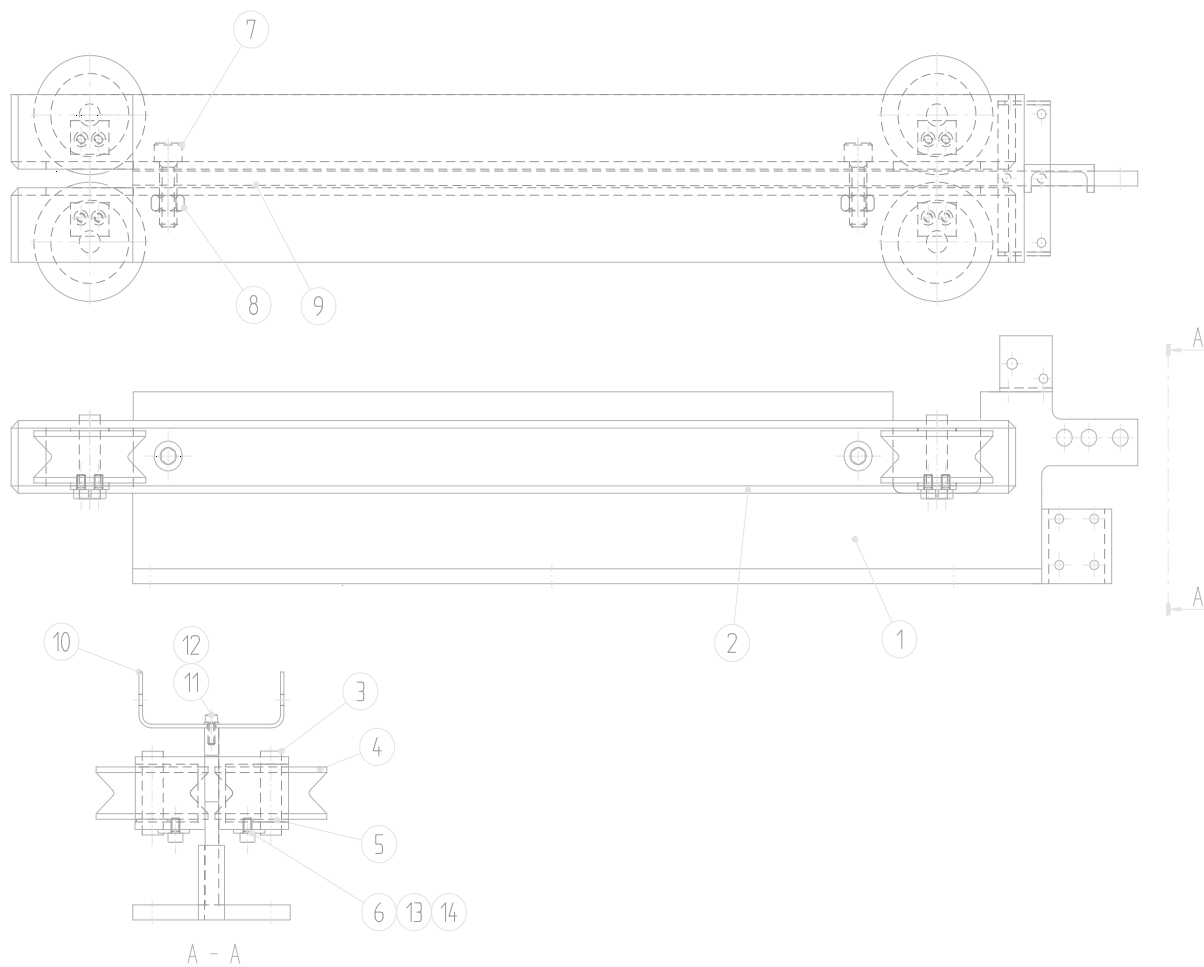
MAST COMPLETE'j ?4422o o , 210009 DRAWING 210002

Pos	Art /Drwg	O	Description	Specification
1	210062	1	CARRIAGE COMPLETE	
2	210008	1	COUNTER-WEIGHT COMPLETE	
3	310033	2	LIMIT POSITION UNIT	
4	310012	1	MAST PROFILE	For goodsheight 2200
5	310013	1	COVER PLATE	
6	310014	1	CHAIN GUIDE	
7	400453	1	MOTOR FLANGE	dwg 310015
8	310016	1	WORM GEAR SHAFT	
9	310017	1	CHAIN WHEEL	
10	310042	1	CABLE SUPPORT	
11	310045	2	COVER PLATE	For goodsheight 2200
12	310053	4	BAR NUT	
13	400318	1	ROLLER CHAIN	RS08B-1, L= 2160
14	400321	2	END LINK	for RS08B-1
15	400350	2	LOCKING LINK	24/RS08B-1
16	400324	1	WORM GEAR	Type FRS 50/FO, B-14 flange, 1:70
17	400325	1	AC-MOTOR	IEC 71, 4 poled, 0,37kW, B-14 flange
18	460581	1	SHAFT KEY	SMS 2306 8x7-25
19	460580	1	SHAFT KEY	SMS 2306 8x7-56
20	460542	1	STOP SCREW	P6SS M8x20
21	460543	4	STOP SCREW	P6SS M8x10
22	460018	2	SCREW	M6S-fzb M8x20
23	460111	2	SCREW	MC6S-fzb M8x25
24	460622	2	SCREW	MLC6S-fzb M8x12
25	460099	2	SCREW	MC6S-fzb M6x22
26	460096	3	SCREW	MC6S-fzb M6x16
27	460074	4	SCREW	MC6S-fzb M4x12
28	460564	8	SCREW	K6S-fzb M4x8
29	460544	2	SCREW	RXK-Z-fzb ST 4,8x13
30	460181	18	NUT	M6M-fzb M8
31	460180	3	NUT	M6M-fzb M6
32	460201	11	WASHER	BRB-fzb 8,4x16x1,6
33	460200	3	WASHER	BRB-fzb 6,4x14x1,5
34	460351	1	COVER PLUG	No. 055 00 93
35	460108	6	SCREW	MC6S-fzb M8x16
36	460540	1	WASHER	SRKB-fzb 9x35x3
37	400352	1	CABLE BRACKET	426-303 (diam 8)
38	460169	12	SCREW	MF6S M8x16
39	310129	1	COVER PLATE	
40	460108	6	SCREW	MC6S M8x16
41	310147	2	BAR NUT	
42	460103	8	SCREW	MC6S M6x45
43	460190	1	LOCKING NUT	M6M-fzb M6 locking
44	310195	1	GUIDING PROFILE	
45	460107	1	SCREW	MC6S M8x12
46	460589	4	WASHER	BRB 4.3x8x0.8
47	460602	4	SCREW	MC6S M8x14
48	400372	1	CABLE BRACKET	DIAM 6
49	751020	1	CABLE	
50	751037	1	CABLE	
51	460495	10	HELI COIL THREAD	M4x14

MAST COMPLETE'j ?4822o o , 210049 DRAWING 210002

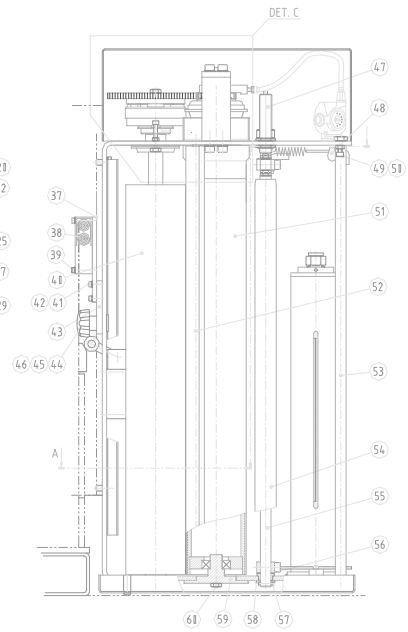
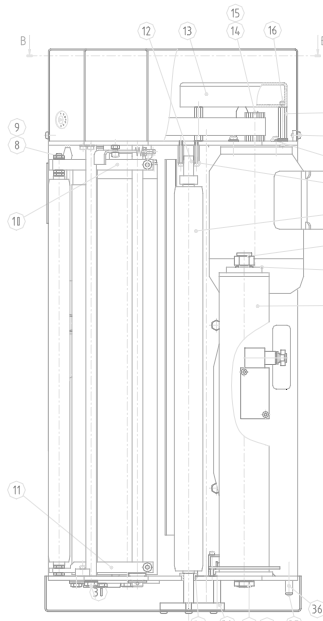
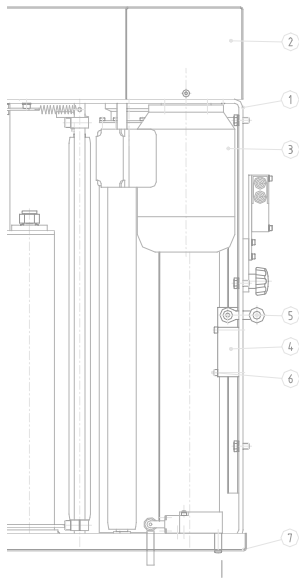
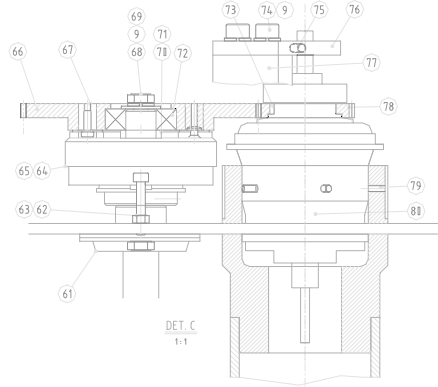
Pos.	Art./Drwg. No	Q	Description	Specification
1	210062	1	CARRIAGE COMPLETE	
2	210008	1	COUNTER-WEIGHT COMPLETE	
3	310033	2	LIMIT POSITION UNIT	
4	310312	1	MAST PROFILE	For goodsheight 2600
5	310013	1	COVER PLATE	
6	310014	1	CHAIN GUIDE	
7	400453	1	MOTOR FLANGE	DWG 310015
8	310016	1	WORM GEAR SHAFT	
9	310017	1	CHAIN WHEEL	
10	310042	1	CABLE SUPPORT	
11	310345	2	COVER PLATE	For goodsheight 2600
12	310053	4	BAR NUT	
13	400320	1	ROLLER CHAIN	RS08B-1, L= 2560
14	400321	2	END LINK	for RS08B-1
15	400350	2	LOCKING LINK	24/RS08B-1
16	400324	1	WORM GEAR	Type FRS 50/FO, B-14 flange, 1:70
17	400325	1	AC-MOTOR	IEC 71, 4 poled, 0.37kW, B-14 flange
18	460581	1	SHAFT KEY	SMS 2306 8x7-25
19	460580	1	SHAFT KEY	SMS 2306 8x7-56
20	460542	1	STOP SCREW	P6SS M8x20
21	460543	4	STOP SCREW	P6SS M8x10
22	460018	2	SCREW	M6S-fzb M8x20
23	460111	2	SCREW	MC6S-fzb M8x25
24	460622	2	SCREW	MLC6S-fzb M8x12
25	460099	2	SCREW	MC6S-fzb M6x22
26	460096	3	SCREW	MC6S-fzb M6x16
27	460074	4	SCREW	MC6S-fzb M4x12
28	460564	8	SCREW	K6S-fzb M4x8
29	460544	2	SCREW	RXX-Z-fzb ST 4,8x13
30	460181	18	NUT	M6M-fzb M8
31	460180	3	NUT	M6M-fzb M6
32	460201	11	WASHER	BRB-fzb 8,4x16x1,6
33	460200	3	WASHER	BRB-fzb 6,4x14x1,5
34	460351	1	COVER PLUG	No. 055 00 93
35	460108	6	SCREW	MC6S-fzb M8x16
36	460540	1	WASHER	SRKB-fzb 8,4x35x3
37	400352	1	CABLE BRACKET	426-303 (diam 8)
38	460169	12	SCREW	MF6S M8x16
39	310129	1	COVER PLATE	
40	460108	6	SCREW	MC6S M8x16
41	310147	2	BAR NUT	
42	460103	8	SCREW	MC6S M6x45
43	460190	2	LOCKING NUT	M6M-fzb M6 LOCKING
44	310196	1	GUIDING PROFILE	
45	460107	1	SCREW	MC6S M8x12
46	460589	4	WASHER	BRB 4.3x8x0.8
47	460602	4	SCREW	MC6S M8x14
48	400372	1	CABLE BRACKET	DIAM 6
49	751020	1	CABLE	
50	751037	1	CABLE	
51	460495	10	HELI COIL THREAD	

CARRIAGE COMPLETE, 210062

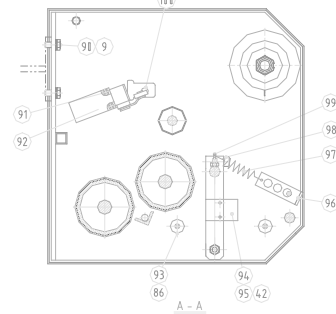
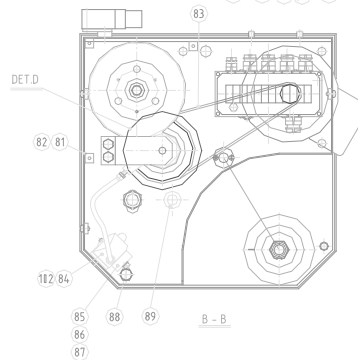
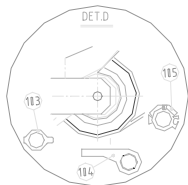


Pos.	Art./Drwg. No	O	Description	Specification
1	210101	1	STEEL STRUCTURE	
2	310189	2	U-PROFILE	
3	310242	4	AXIS	
4	310019	4	WHEEL	
5	460572	16	WASHER	PS-fzb 12x18x1
	460579	8	WASHER	PS-fzb 12x18x0.2
6	310241	4	LOCKING PLATE	
7	460554	2	SHOULDER SCREW	M10x12x16
8	460192	2	LOCKING NUT	FZB GB6 M10
9	310193	3	RUBBER CANVAS	
10	310211	1	HOLDER CABLES	
11	460199	2	WASHER	BRB-fzb 5.3
12	460080	2	SCREW	MC6S-fzb 5x12
13	460208	8	SCREW	MC6S-fzb M5x6
14	460565	8	LOCKING WASHER	FBB-fzb 5.3x10

STRETCH AGG. COMPLETE, 210024



EXPLANATION GEAR DETAL



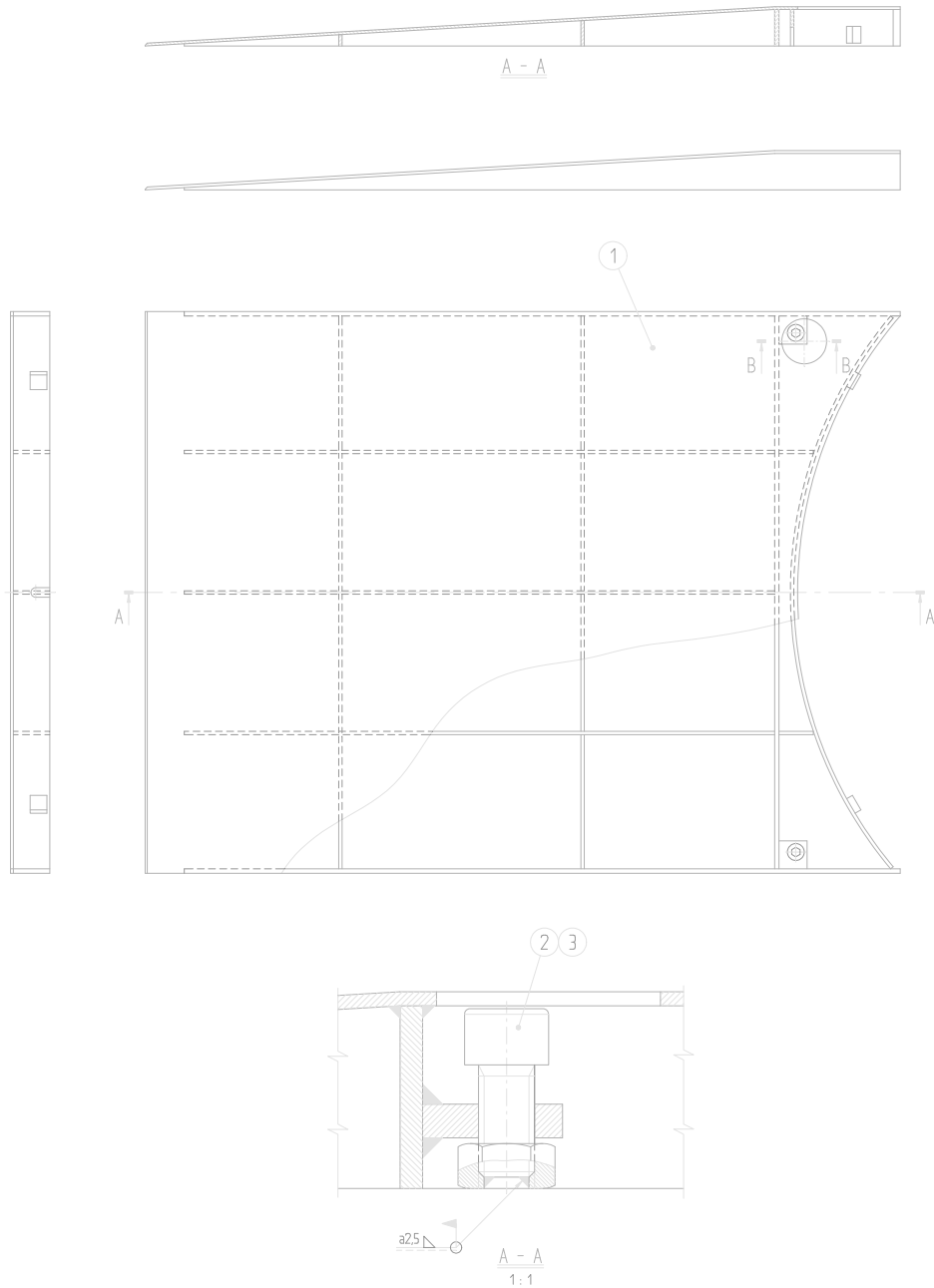
STRETCH AGG. COMPLETE, 210024

Pos.	Art./Drwg. No	O	Description	Specification
1	310205	1	STEEL FRAME	
2	310206	1	PROTECTIVE HOUSING	
3	310207	1	AC-MOTOR	IEC 71, 6-poled, 0.25kW, B-14 flange
4	900097	1	LIMIT SWITCH	ZCK-S404
5	900098	1	ARM FOR LIMIT SWITCH	ZCK-Y41
6	460085	2	SCREW	MC6S-fzb M5x35
7	310062	1	PROTECTIVE PLATE	
8	460595	5	NUT	ML6M-fzb M8
9	460288	14	WASHER	FBB-fzb 8.1
10	310099	1	DANCING ROLLER ARM	
11	310100	1	DANCING ROLLER ARM	
12	310215	1	SHAFT STEEL-TRANSP. ROLLER pos 23	
13	210020	1	TERMINAL BOX	
14	310199	1	BELT WHEEL	
15	460469	1	CYLINDRICAL PIN	CP 4x20
16	460076	2	SCREW	MC6S-fzb M4x20
17	460594	2	DISTANCE SCREW	DSS M4070x45
18	460561	3	SCREW	K6S-fzb M5x8
19	460209	4	SCREW	MLC6S M6x20
20	460200	5	WASHER	BRB-fzb 6.4x14x1.5
21	310214	1	BEARING	
22	460633	2	SCREW	MC6S-fzb M4x30
23	400326	1	STEEL-TRANSP. ROLLER serie 1200	TUBE No J14, RL=526 BEARING No 12AF
24	460195	1	LOCKING NUT	DIN 982-fzb M16
25	460573	1	SPRING WASHER	No 654 70
26	310063	1	WASHER	
27	460590	1	SPRING PIN	FRP 4x20
28	310068	1	FILM ROLLER SHAFT	
29	210016	1	FILM ROLLER	
30	460311	2	SCREW	M6S-fzb M10x16
31	310108	1	FLANGE BEARING	
32	310109	1	FIXING PLATE	
33	460215	1	NUT	ML6M-fzb M16
34	460292	1	WASHER	FBB-fzb 16.2
35	460562	6	SCREW	K6S-fzb M5x10
36	310091	1	SHAFT	
37	300731	1	PHOTOCELL HOLDER	
38	900109	1	PHOTOCELL	WT27-2F410
	900110	1	CONTACT	
39	460084	2	SCREW	MC6S-fzb M5x30
40	210017	1	PRE-STRETCH ROLLER	
41	460074	2	SCREW	MC6S-fzb M4x12
42	460589	4	WASHER	BRB-fzb 4.3x12x1
43	310083	1	HOLDER	
44	400351	1	HANDLE	WN 450 M8
45	460549	1	SCREW	MVBF-fzb M8x25
46	460203	1	WASHER	BRB-fzb 13x24x2.5
47	900093	1	INDUCTIVE LIMIT SWITCH	XSP-H08 362
48	400208	1	KNOB	UKK -5-S
49	460209	1	SCREW	MC6S-fzb M6x20
50	460180	2	NUT	M6M-fzb M6
51	210063	1	PRE-STRETCH ROLLER	
52	310089	1	SAFETY BAR	
53	310090	1	DISTANCE SHAFT	
54	400336	1	STEEL-TRANSP. ROLLER serie 1200	TUBE No J14, RL=540 SHAFT No J65, AL=595 BEARING No 12AA
55	310098	1	DANCING ROLLER SHAFT	
56	310101	2	FLANGE BEARING	
57	460590	1	SPRING PIN	FRP 4x20

STRETCH AGG. COMPLETE, 210024

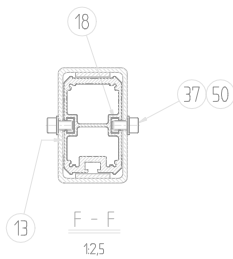
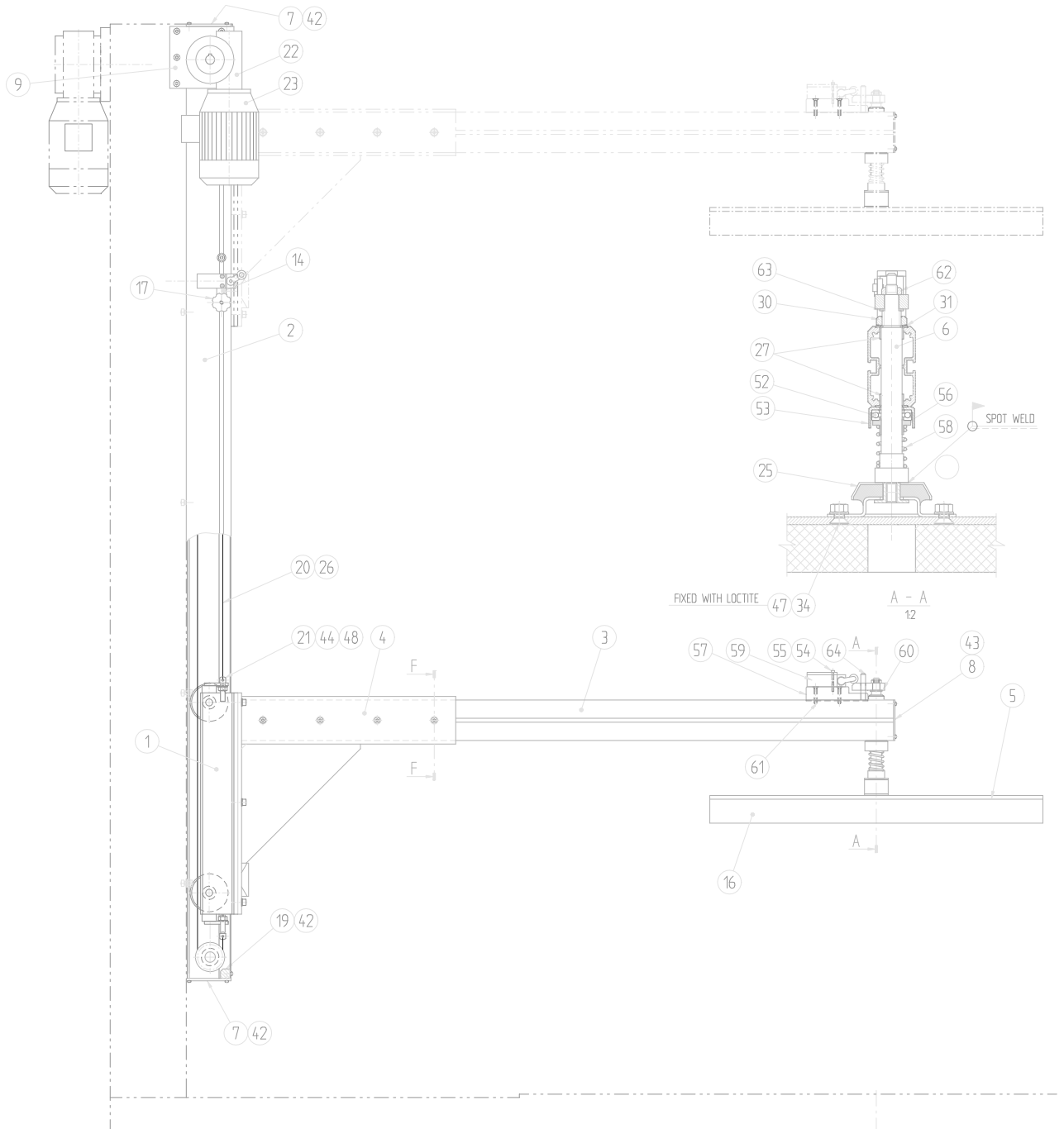
Pos.	Art./Drwg. No	O	Description	Specification
58	460204	1	WASHER	BRB-fzb 15x26x2
59	310192	1	ADAPTER PLATE	
60	460312	6	SCREW	M6S-fzb M8x10
61	400328	2	FLANGE BEARING	SLFL-20A
62	460084	1	SCREW	MC6S-fzb M5x30
63	460179	1	NUT	M6M-fzb M5
64	400327	1	ELECTROMAGNETIC CLUTCH	Size 0703.610 for shaft diam. 17mm
65	460609	1	SHAFT KEY	SMS 2306. 5x5-25
66	310201	1	GEAR WHEEL	
67	460552	3	SCREW	MLC6S M4x12
68	460015	1	SCREW	M6S-fzb M8x12
69	460574	1	WASHER	NB-fzb 8x22x1.5
70	310106	1	DISTANCE	
71	460315	1	WASHER	PS 18x24x0.2
72	400329	1	RIGID BALL BEARING	6203-2RS
73	460610	3	SPRING PIN	FRP 4x6
74	460109	4	SCREW	MC6S-fzb M8x20
75	460591	1	STOP SCREW	P6SS M6x10
76	310203	1	HOLDER PLATE	
77	310208	1	HOLDER	
78	310200	1	GEAR WHEEL	
79	460607	5	STOP SCREW	T6SS M4x8
80	400405	1	GEAR HUB	SG-7R40
81	400390	3	CABLE SUPPORT	CTM-1
82	460491	3	RIVET	TAP/D-BS 3.0x10
83	400394	1	GEAR BELT	T5-575. b=25 Svnchroflex
84	400406	1	GEAR LEVER	ST-7S20
85	310204	1	HOLDER	
86	460081	2	SCREW	MC6S-fzb M5x16
87	460199	2	WASHER	BRB-fzb 5.3x10x1
88	460082	1	SCREW	MC6S-fzb M5x20
89	460587	1	STOP RING	DIN 705 15x25x12
90	460017	6	SCREW	M6S-fzb M8x16
91	900092	1	LIMIT SWITCH	XCK-P127
92	460084	2	SCREW	MC6S-fzb M5x30
93	400338	2	RUBBER STOP	Serie 1593 det.nr 32436
94	310313	1	INDICATING ARM	
95	460076	2	SCREW	MC6S-fzb M4x20
96	310104	1	SPRING RETAINER PLATE	
97	400337	1	SPRING	No 31 880
98	460111	2	SCREW	MC6S-fzb M8x25
99	400269	1	SCREW FOR SPRING	FF M6x25
100	460288	2	WASHER	FBB 8.1
101	310222	1	LOCKANGLE	
102	400408	1	END CASE	FOR WIRE Ø1.2mm
103	400407	1	LOCKING RING	33-Z9802
104	400122	1	WIRE GUIDE	
105	400123	1	WIRE SOCKET	

FEEDING RAMP COMPLETE, 210006

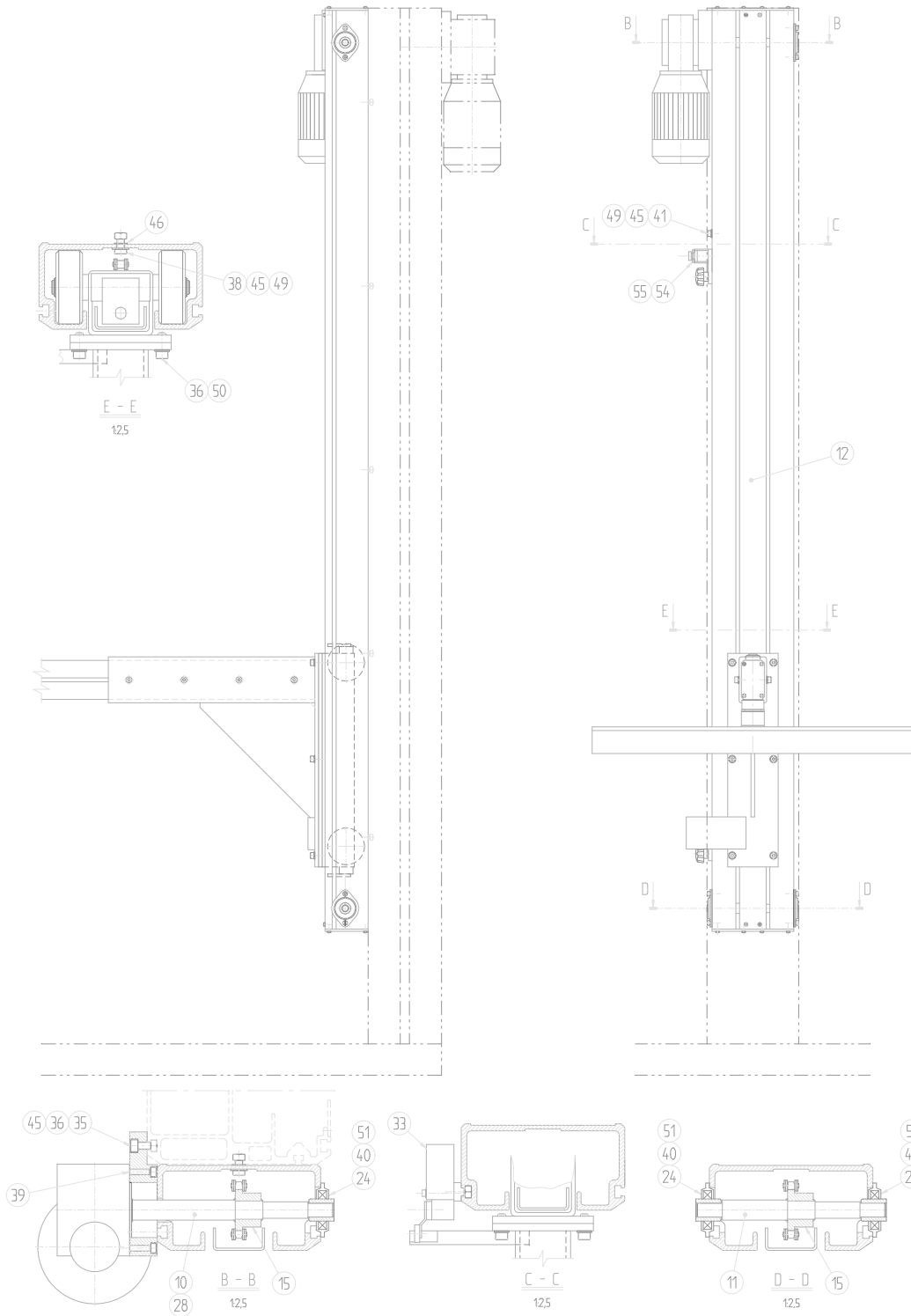


Pos.	Art./Drwg. No	Q	Description	Specification
1	310041	1	STEEL STRUCTURE	
2	460149	2	SCREW	MC6S-fzb M20x40
3	460187	2	NUT	M6M-fzb M20

TOP PLATE UNIT COMPLETE, 210005 (1 of 2)



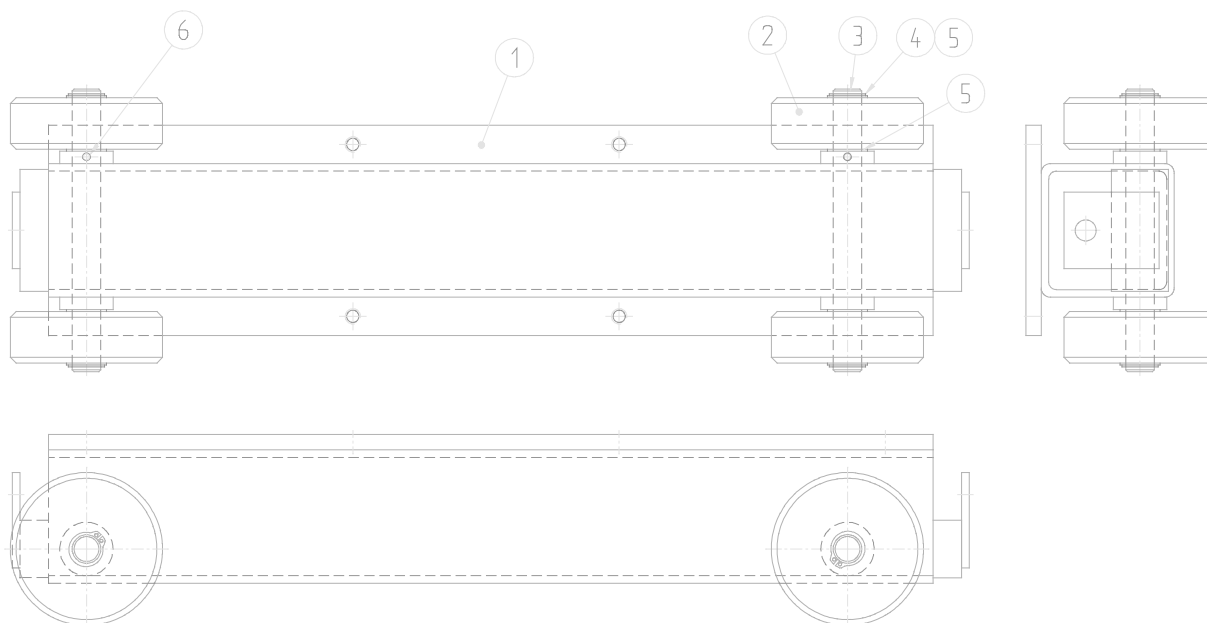
TOP PLATE UNIT COMPLETE, 210005 (2 of 2)



TOP PLATE UNIT COMPLETE, 210005

Pos.	Art./Drwg. No	O	Description	Specification
1	210010	1	CARRIAGE COMPLETE	
2	310021	1	MAST PROFILE	For goodsheight 2200
3	310022	1	BAR PROFILE	
4	310023	1	BRACKET	
5	310024	1	TOP PLATE	
6	300709	1	SHAFT	
7	310026	2	COVER PLATE	
8	310027	1	COVER PLATE	
9	310028	1	MOTOR FLANGE	
10	310029	1	WORM GEAR SHAFT	
11	310030	1	SHAFT	
12	310031	1	COVER PLATE	For goodsheight 2200
13	310032	2	DISTANCE PLATE	
14	310083	2	LIMIT SWITCH HOLDER	
15	310034	2	CHAIN WHEEL	
16	310035	1	FOAM RUBBER PLATE	
17	400340	1	HANDLE	WN 450 M8-20
18	310037	2	BAR NUT	
19	310057	2	COVER PLATE SUPPORT	
20	400341	1	ROLLER CHAIN	RS08B-1. L= 4200
21	400344	2	FIXING SCREW	for RS08B-1
22	400345	1	WORM GEAR	Type FRS 40/PC. B-14 flange. 1:70
23	400346	1	AC-MOTOR	IEC 63. 2poled. 0.18 kW. B-14 flange
24	400347	3	FLANGE BEARING	SLFL-15A
25	400348	1	VIBRATION ABSORBER	RA125 EM A-M12
26	400350	2	LOCKING LINK	24/RS08B-1
27	400349	2	FLANGE BEARING	BM 2212 F33 FB
28	460600	1	SHAFT KEY	SMS 2306 6x6-45
29				
30	460601	1	SHAFT NUT	GUK 4
31	460575	1	WASHER	DB 22x32x1
32				
33	900094	2	LIMIT SWITCH	XCK-P118
34	460174	2	SCREW	MF6S-fzb M10x20
35	460112	1	SCREW	MC6S-fzb M8x30
36	460109	9	SCREW	MC6S-fzb M8x20
37	460602	8	SCREW	MC6S-fzb M8x14
38	460551	7	SCREW	MLC6S M8x16
39	460100	4	SCREW	MC6S-fzb M6x30
40	460095	6	SCREW	MC6S-fzb M6x14
41	460107	1	SCREW	MC6S-fzb M8x12
42	460603	16	SCREW	RXK-Z-fzb ST 4.2x13
43	460604	4	SCREW	RXK-Z-fzb ST 3.5x9.5
44	460192	2	LOCKING NUT	DIN 985-fzb M10
45	460181	14	NUT	M6M-fzb M8
46	460576	7	WASHER	DB 8x14x1
47	460192	2	LOCKING NUT	DIN 985-fzb M10
48	460202	4	WASHER	BRB-fzb 10.5x18x2
49	460201	8	WASHER	BRB-fzb 8.4x16x1.5
50	460201	14	WASHER	BRB-fzb 8.4x16x1.6
51	460200	6	WASHER	BRB-fzb 6.4x14x1.5
52	400170	1	THRUST BALL BEARING	No. 511 05
53	310058	1	BEARING COVER	
54	460605	6	SCREW	MC6S-fzb M4x40
55	460589	6	WASHER	BRB-fzb 4.3x8x0.8
56	300710	1	DISTANCE RING	
57	300712	1	LIMIT SWITCH HOLDER	
58	400380	1	SPRING	SF-TF 2.5x25x45
59	900094	1	LIMIT SWITCH	XCK-P118
60	300711	1	LIMIT SWITCH PLATE	
61	460166	2	SCREW	MF6S-fzb M6x35
62	460620	1	SHAFT NUT	GUK 1
63	460571	1	WASHER	15x21x1
64	460494	1	CYLINDRICAL PIN	∅10x60

CARRIAGE (TOP PLATE) COMPLETE, 210010



Pos.	Art./Drwg. No	Q	Description	Specification
1	310038	1	STEEL STRUCTURE	
2	310039	4	WHEEL	
3	310040	2	SHAFT	
4	460415	4	RETAINING RING	SgA 15
5	460571	4	WASHER	DB 15x21x1
6	460606	2	STOP SCREW	P6SS M4x10