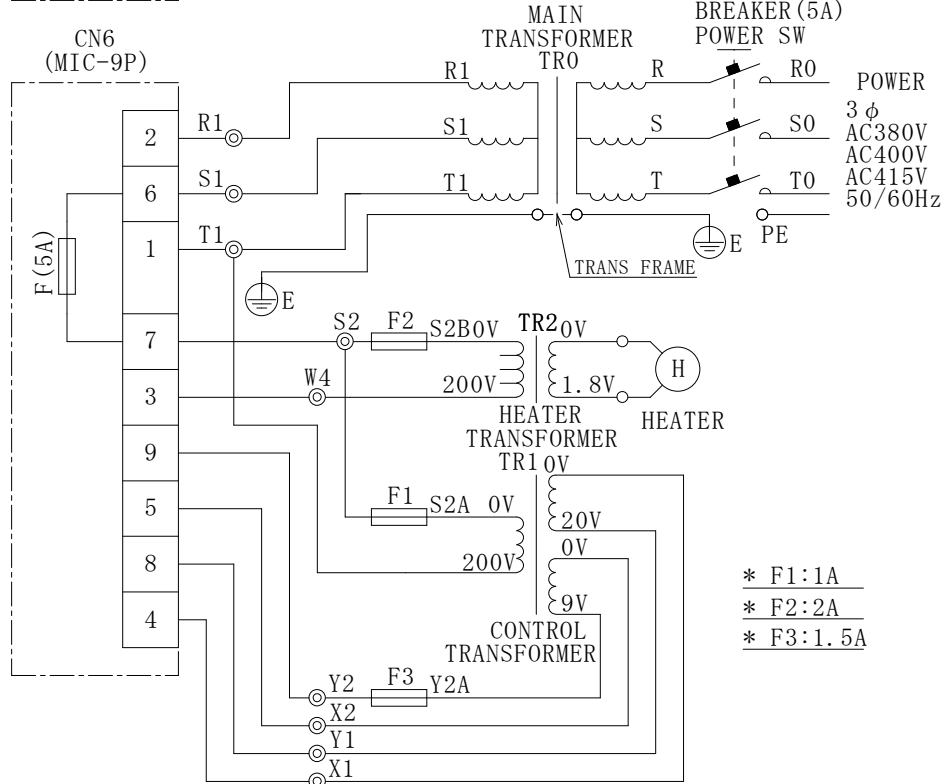
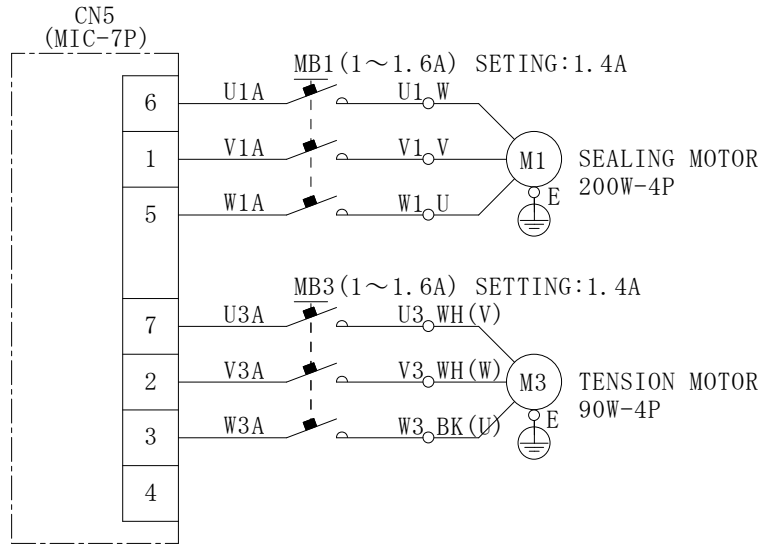
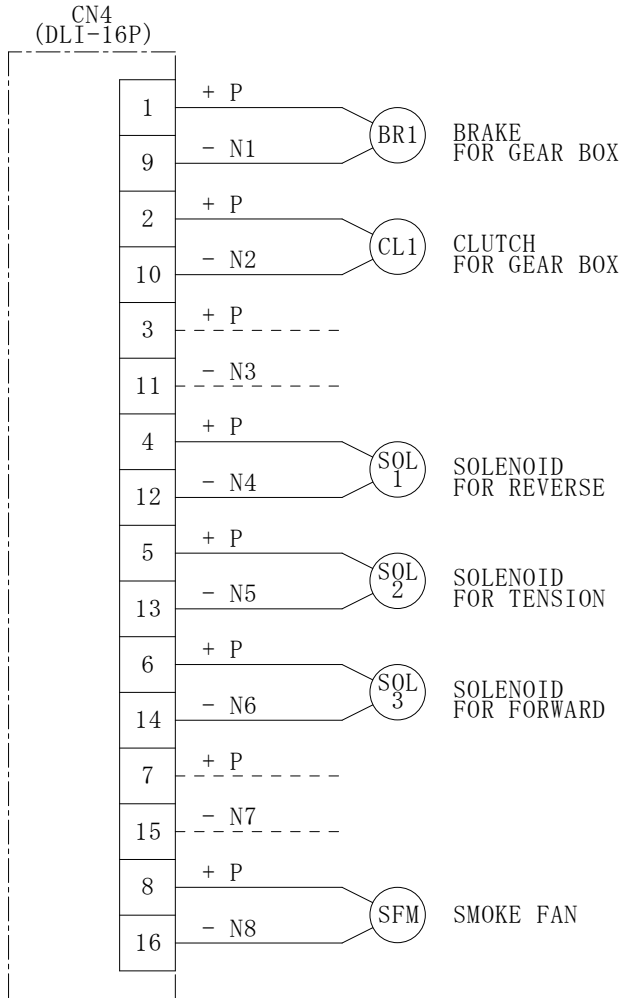
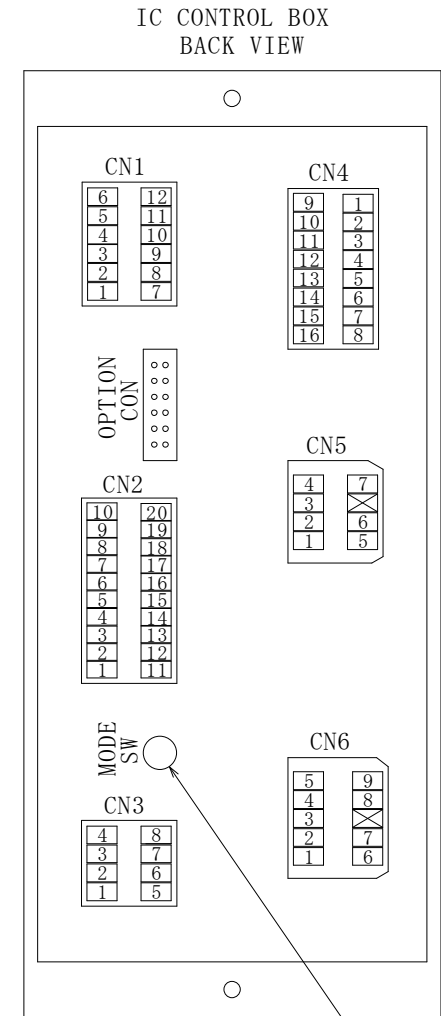


ROM:RQ7000M

記号 MARK	訂正記事 CORRECTIONS	訂正月日 DATE	担当 SIGN	承認 APPROVED	機種 MODEL	承認 APPROVED BY	検図 CHECKED BY	製図 DESIGNED BY	名称 DESCRIPTION	図番 DRAWING No.
					RQ7000M			TOEI TA	ELECTRICAL WIRING (1)	SEJK26-1001-1E
								2009/03/24		
									旧図番 OLD D/No.	UNI



* F1:1A
* F2:2A
* F3:1.5A

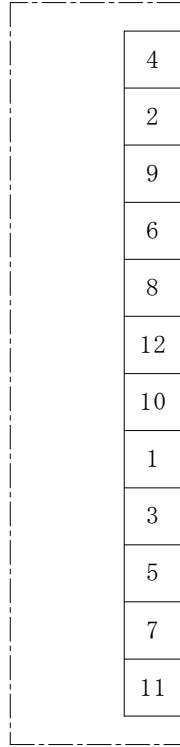


SETTING MODE SWITCH ACCORDING TO ARCH SIZE

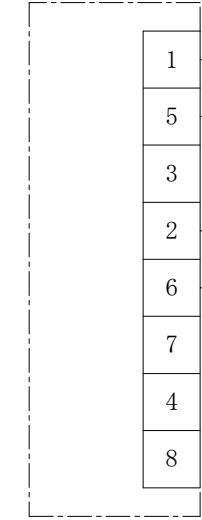
記号 MARK	訂正記事 CORRECTIONS	訂正月日 DATE	担当 SIGN	承認 APPROVED	機種 MODEL RQ7000M	承認 APPROVED BY	検図 CHECKED BY	製図 DESIGNED BY TOEI TA	名称 DESCRIPTION ELECTRIC WIRING (2)	図番 DRAWING No. SEJK26-1001-2E
								2009/03/24		UNI



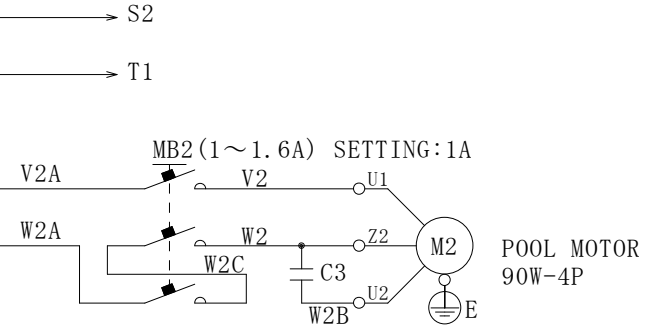
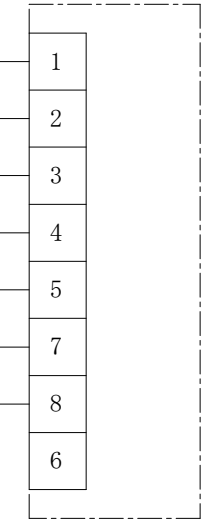
OPTION CON
(HIROSE DF1B 12P)



REVERSE BOAD FOR
POOL MOTOR
CN1
(MOLEX 8P)



REVERSE BOAD FOR
POOL MOTOR
CN2
(HIROSE DF1B 8P)



記号 MARK	訂正記事 CORRECTIONS	訂正月日 DATE	担当 SIGN	承認 APPROVED	機種 MODEL RQ7000M	承認 APPROVED BY	検図 CHECKED BY	製図 DESIGNED BY TOBI TA	名称 DESCRIPTION ELECTRICAL WIRING (3)	図番 DRAWING No. SEJK26-1001-3E
						/ /	/ /	2009/03/24		
									旧図番 OLD D/No.	

